

AMP1-16-M

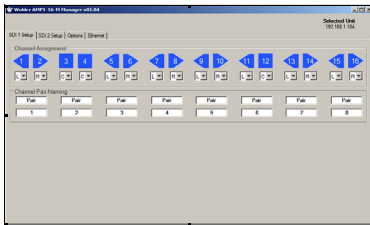
Dual input 3G/HD/SD-SDI 16 -Channel Audio Monitor



Compact, low-cost unit to select and monitor up to 16 audio channels from either of two 3G/HD/SD-SDI inputs

The AMP1-16-M offers fast, intuitive operation for monitoring SDI audio in the most demanding production applications. Whether in the studio or on the road, the AMP1-16-M provides instantaneous selection and summing of any grouping of SDI audio pairs. It features adjustable volume and balance controls, clear display of levels, and phase indications on bright 2.4" LED-backlit LCD displays with configurations that can be created, saved and recalled via Ethernet or USB flash drive using an intuitive PC interface.

PC Control and Configuration



Intuitive PC software makes it easy to configure, store and load presets

Features

- Simultaneous level metering of 16 de-embedded audio channels from SDI
- High resolution metering with 166-segment displays
- Quick, intuitive push-button selection of any pairs to sum to monitor
- Monitor through built-in speakers, headphones or analog outputs with optional muting for internal speakers
- Stereo or mono monitoring
- Stereo phase indicators
- Adjustable Volume and Balance
- Adjustable Channel Trim
- Easy update and management software for PCs
- Balanced stereo analog outputs on XLR-Ms. Fixed level or volume/balance controlled.
- Automatic frame rate detection and selection
- Totally digital system architecture with high fidelity Class D amp
- Selectable line level or front panel volume control and outputs
- Shallow chassis depth for easy installation in OB vehicles and consoles



Order Part Number

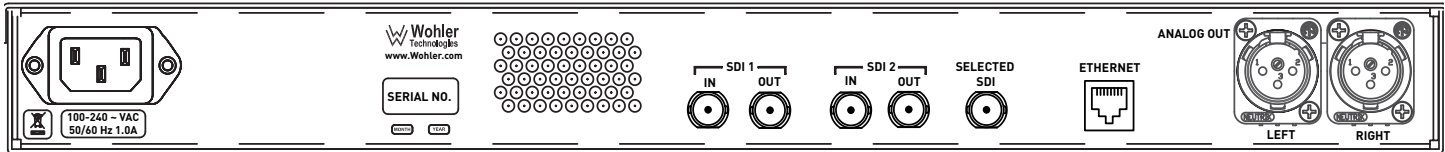
AMP1-16-M: 8130-0400

AMP1-16-M

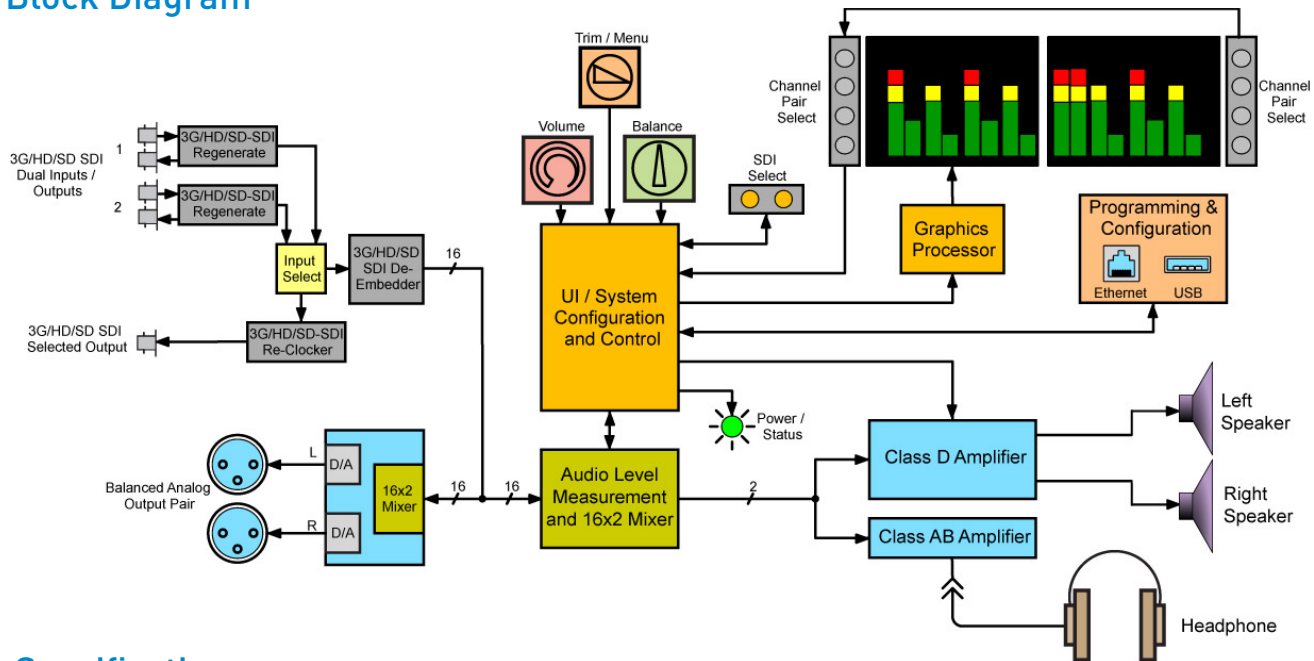
Dual Input 3G/HD/SD-SDI 16-Channel Audio Monitor



Rear Panel



Block Diagram



Specifications

Inputs	Two 3G/HD/SD-SDI Inputs on BNC
Outputs	Two loop-through SDI Outputs on BNC Selected SDI Re-clocked Output on BNC Balanced stereo analog out on XLR-M
Interfaces	External PC control via Ethernet port Front panel USB port for preset storage/transfer
Front Panel Displays	Two 2.4" LED-backlit LCDs
Level Metering	Simultaneous average and PPM
Acoustic Frequency Response	150 Hz to 16 kHz (+- 5 dB) acoustic • 40 Hz to 20 kHz (+- 1dB) electrical
Peak Acoustic Output	90 dB SPL at 2 feet
Power Output	6 W RMS per side, 12 W peak
Hum and Noise	Better than -68 dB below full output
Power	IEC connector 100 to 240 VAC ± 10%, 50/60Hz 60 W; self-contained power supply
Dimensions (W x H x D)	4.25" x 19" x 1.75" (108 mm x 483 mm x 44 mm)
Shipping Weight/Net Weight	7 lbs (3.2 kg) / 5 lbs (2.3 kg)